

# CVS METAL INDUSTRIES SDN BHD

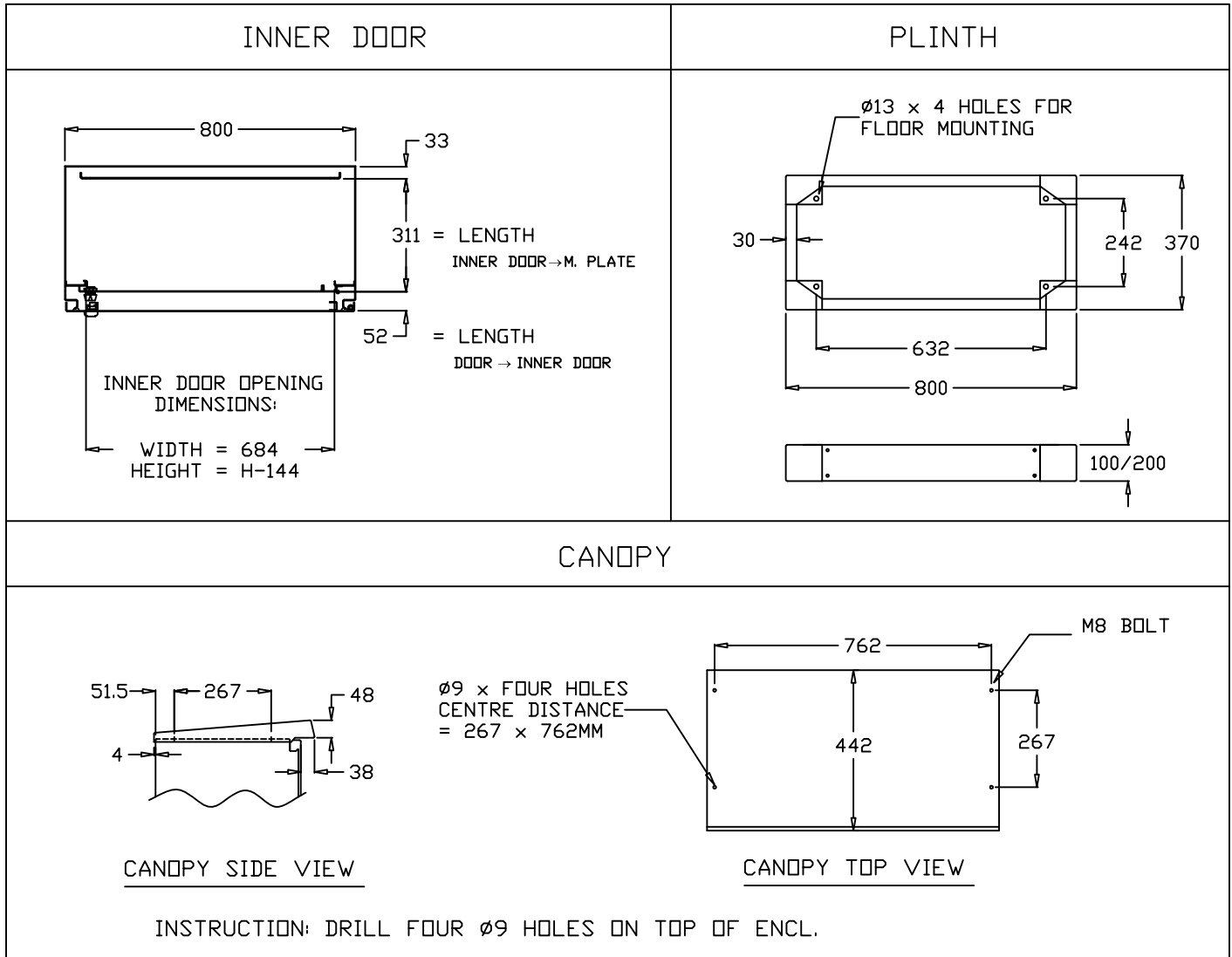
IP55

SPECIFICATIONS & DIMENSIONS

CVS-S25  
Rev : 2

## FLOOR STANDING INDUSTRIAL ENCLOSURE

### CM 800W



CM MODEL PARTS DESCRIPTION		
PART NAME	MATERIAL	FINISHING
CANOPY/INNER DOOR	1.4MM E.G	POLYESTER POWDER COATING - RAL 7032, BEIGE
PLINTH	2.0/3.0MM E.G	POLYESTER POWDER COATING - BLACK
TRANSPARENT DOOR	5.0MM	POLYCARBONATE / GLASS

ENCLOSURE MODEL	INNER DOOR		PLINTH		CANOPY	
	MODEL	WEIGHT (KG)	MODEL	WEIGHT (KG)	MODEL	WEIGHT (KG)
CM 148/40	ID 148	22	PL 84/100	7	CPM 8040	6
CM 168/40	ID 168	23	OR			
CM 188/40	ID 188	27	PL 84/200	13		
CM 208/40	ID 208	29				

NOTE: ALL MEASUREMENTS ARE IN MM

# CVS METAL INDUSTRIES SDN BHD

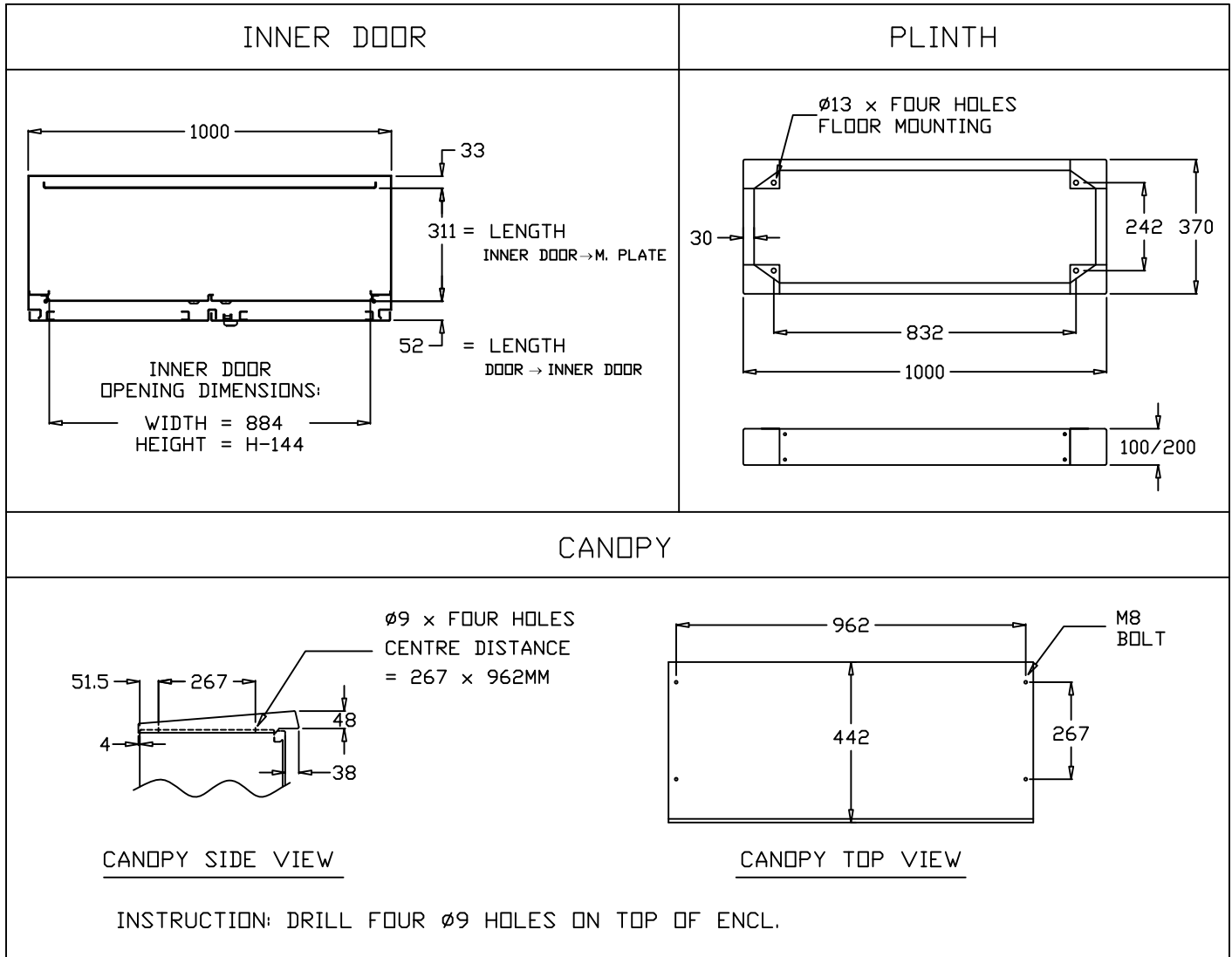
IP55

SPECIFICATIONS & DIMENSIONS

CVS-S26  
Rev : 2

## FLOOR STANDING INDUSTRIAL ENCLOSURE

### CM 1000W



CM MODEL PARTS DESCRIPTION		
PART NAME	MATERIAL	FINISHING
CANOPY / INNER DOOR	1.4MM E.G	POLYESTER POWDER COATING - RAL 7032, BEIGE
PLINTH	2.0/3.0MM E.G	POLYESTER POWDER COATING - BLACK
TRANSPARENT DOOR	5.0MM	POLYCARBONATE / GLASS

ENCLOSURE MODEL	INNER DOOR		PLINTH		CANOPY	
	MODEL	WEIGHT (KG)	MODEL	WEIGHT (KG)	MODEL	WEIGHT (KG)
CM 1410/40	ID 1410	20	PL 104/100	8	CPM 10040	7
CM 1610/40	ID 1610	23	OR			
CM 1810/40	ID 1810	25	PL 104/200	16		
CM 2010/40	ID 2010	27				

NOTE: ALL MEASUREMENTS ARE IN MM

# CVS METAL INDUSTRIES SDN BHD

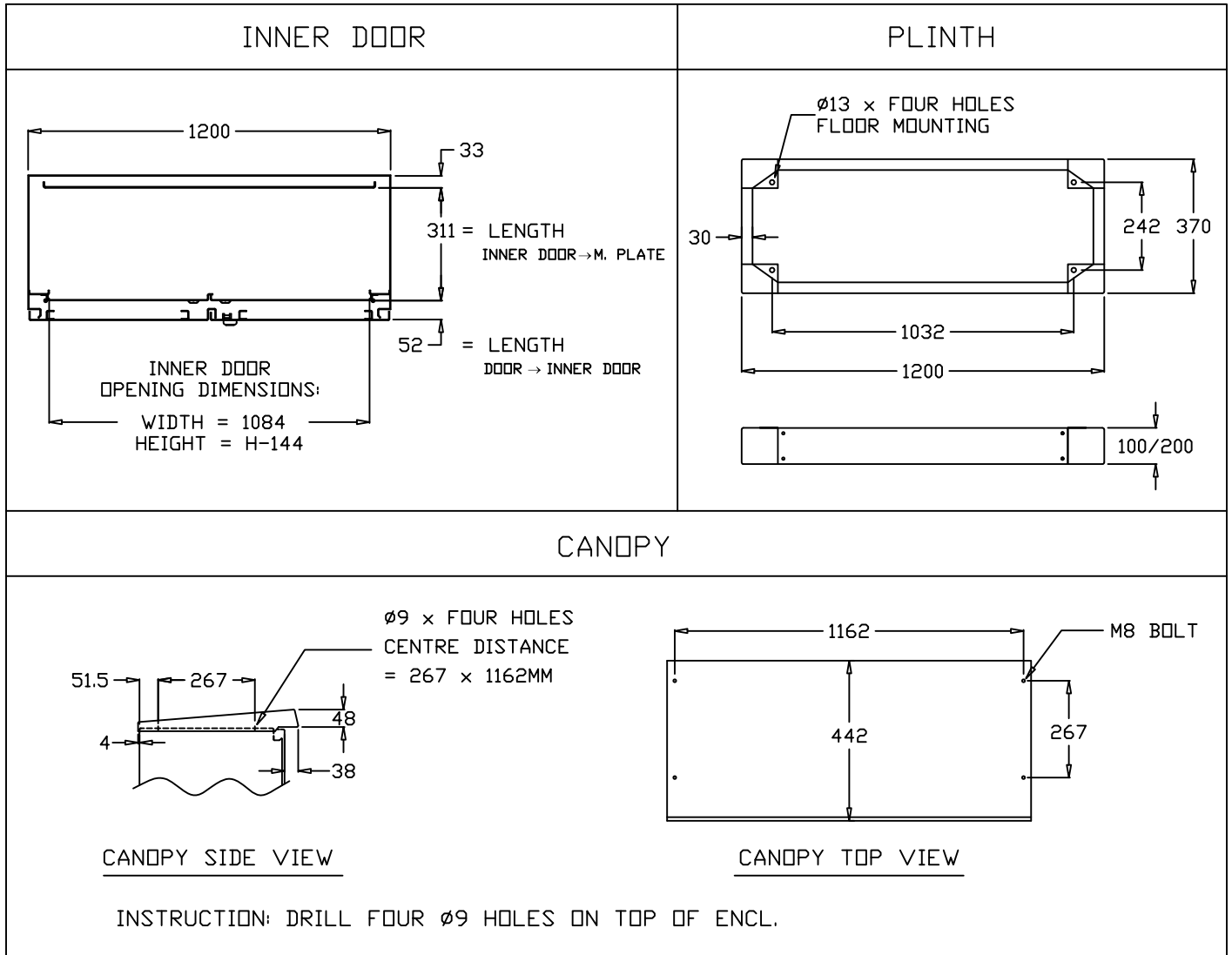
IP55

SPECIFICATIONS & DIMENSIONS

CVS-S27  
Rev : 2

## FLOOR STANDING INDUSTRIAL ENCLOSURE

### CM 1200W



CM MODEL PARTS DESCRIPTION		
PART NAME	MATERIAL	FINISHING
CANOPY / INNER DOOR	1.4MM E.G	POLYESTER POWDER COATING - RAL 7032, BEIGE
PLINTH	2.0/3.0MM E.G	POLYESTER POWDER COATING - BLACK
TRANSPARENT DOOR	5.0MM	POLYCARBONATE / GLASS

ENCLOSURE MODEL	INNER DOOR		PLINTH		CANOPY	
	MODEL	WEIGHT (KG)	MODEL	WEIGHT (KG)	MODEL	WEIGHT (KG)
CM 1612/40	ID 1612	23	PL 124/100	9	CPM 12040	8
CM 1812/40	ID 1812	25	OR			
CM 2012/40	ID 2012	27	PL 124/200	19		

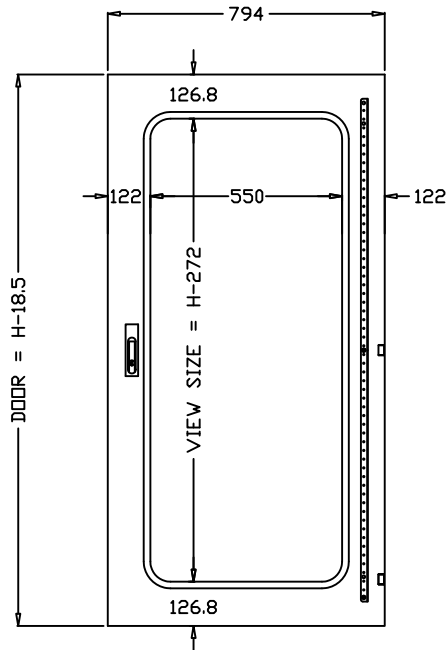
NOTE: ALL MEASUREMENTS ARE IN MM

# CVS METAL INDUSTRIES SDN BHD

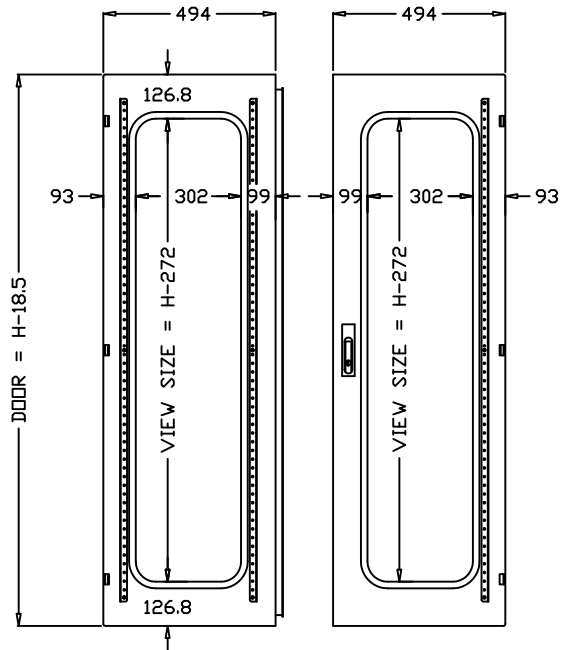
COMPLETE PRODUCT SPECIFICATIONS & DIMENSIONS

## TRANSPARENT DOOR DIMENSIONS FOR CM ENCLOSURE

CVS-S45  
Rev : 0



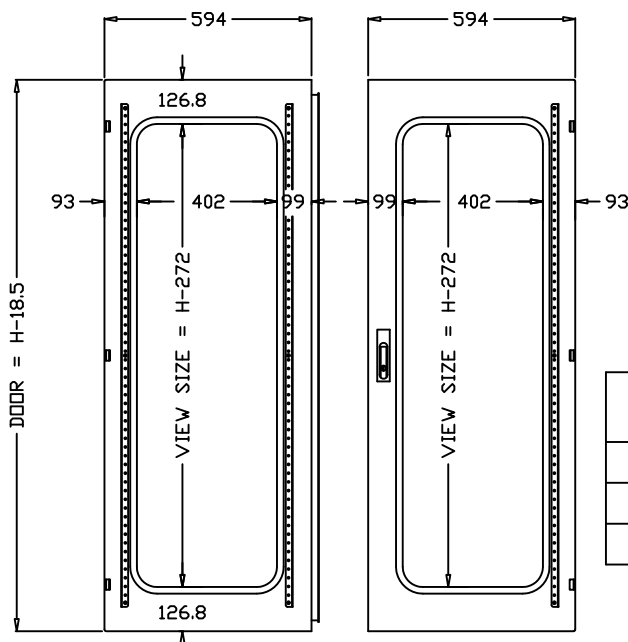
800W CM DOOR



1000W CM DOOR

CM MODEL	VIEW SIZE
CM 148/40	1128 x 550
CM 168/40	1328 x 550
CM 188/40	1528 x 550
CM 208/40	1728 x 550

CM MODEL	VIEW SIZE	
	LEFT DOOR	RIGHT DOOR
CM 1410/40	1128 x 302	1128 x 302
CM 1610/40	1328 x 302	1328 x 302
CM 1810/40	1528 x 302	1528 x 302
CM 2010/40	1728 x 302	1728 x 302



1200W CM DOOR

CM MODEL	VIEW SIZE	
	LEFT DOOR	RIGHT DOOR
CM 1612/40	1328 x 402	1328 x 402
CM 1812/40	1528 x 402	1528 x 402
CM 2012/40	1728 x 402	1728 x 402

- NOTES: 1) ALL MEASUREMENTS IN MM  
2) DRAWING SHOWN IS EXTERNAL VIEW  
3) H = CM MODEL ENCLOSURE HEIGHT

- 4) MATERIAL: 5.00MM(±) POLYCARBONATE OR GLASS  
5) DRAWING MEASUREMENTS FOR CVS STANDARD.  
PLEASE SUBMIT DRAWING FOR SPECIAL OPENING SIZES.