

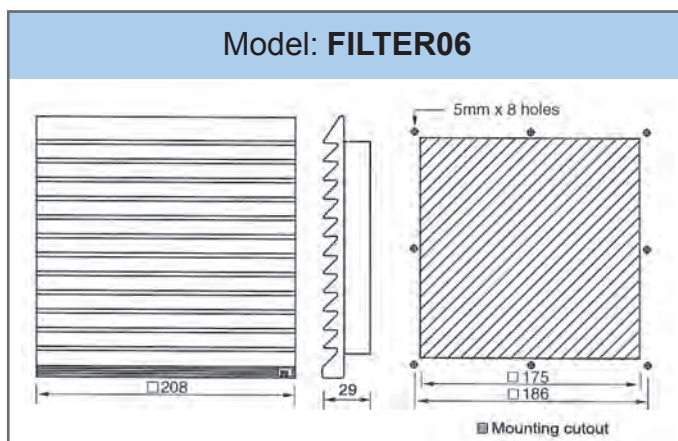
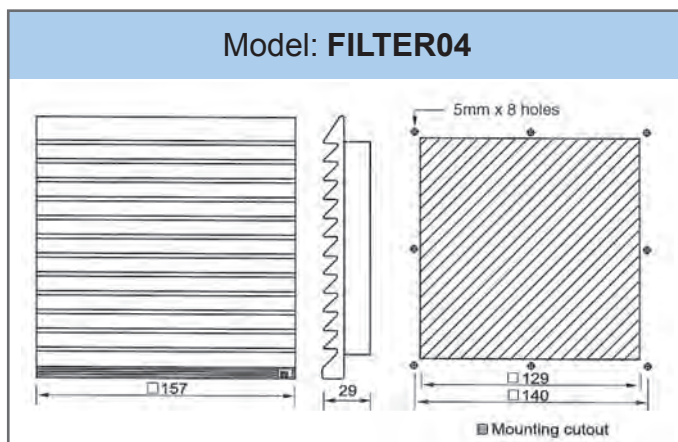
Ventilator Filter Unit



Model & Dimension

Item	Model	Size (mm)	Per carton (pcs.)
1	FILTER04	157 x 157 x 29	30
2	FILTER06	208 x 208 x 29	

Mounting cutout (mm)



Specification

Plastic Casing	
Material	ABS
Flame retardant	Yes
UV-resistant	Yes

Filter element	
Material	Synthetic fibers
Avg. arrestance (EN779)	86%
Air Velocity	1.5 m/s
Rated air flow (m ³ /h/m ²)	5400
Final pressure drop	250 Pa
Initial efficiency (dust spot)	<20%
Dust holding at tested final	620g/m ²
Class (EN779)	G3
Temperature resistant	Up to 100°C
Relative humidity	Up to 100°C
Washable	Yes



SIRIM
Certified to: MS IEC 60529: 2005
Certification No.: LC020801



CERT NO. 403479

Cooling Fan - AC axial fan



Model & Dimension

Model	FAN04 - P2123HS(B)T	FAN06 - P2175HBT(L)-ET
Dimension	120x120x38mm	172x150x51mm
Frame	Die cast aluminum	
Impeller	Thermoplastic PBT,V-0	
Ambient temperature range	-10°C ~ +70°C	
Operating voltage range	Rated voltage \pm 10%	
Bearing	Ball Bearing	
Termination	Lead wire 310 \pm 5%mm	
Motor structure	AC shaded-pole motor	AC external rotor capacitor motor
Advantages	- Impedance protected - Flowing shape	- Thermal protected - External rotor motor - Low power consumption

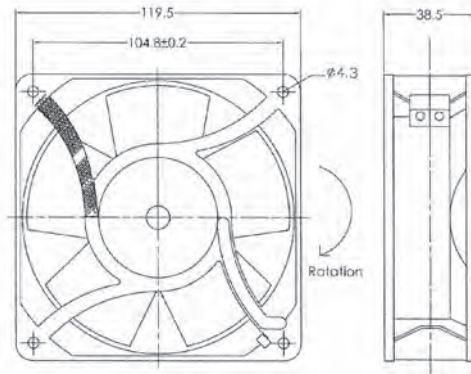


Specification

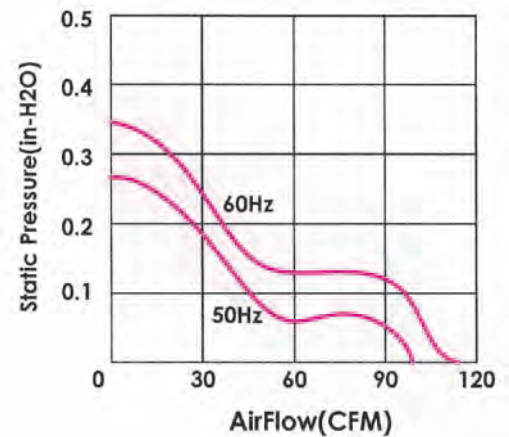
Model	Safety standard	Voltage (V)	Freq. (Hz)	Current (A)	Power (W)	Speed (RPM)	Air flow (CFM)	Pressure (in-H2O)	Noise (dB)	Per carton (pcs.)
FAN04 P2123HS(B)T	UL,TUV,CE	230	50/60	0.12/0.1	20/17	2700/3150	97/115	0.27/0.34	47/49	40
FAN06 P2175HBT(L)-ET				0.12/0.12	25/25	2650/3100	202/240	0.6/0.68	51/58	12

Dimension (mm)

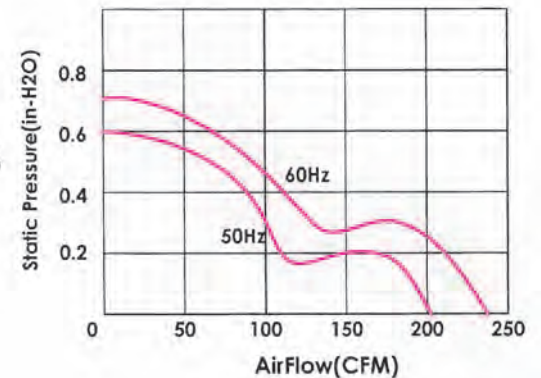
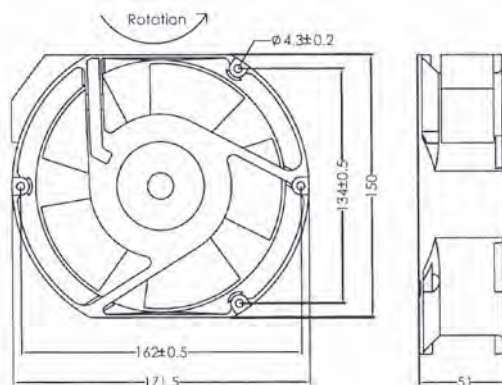
Model: FAN04



Characteristic Curves



Model: FAN06



Please contact

We reserve the right to alter product design and specifications without prior notice.

